

# TECTUM™ Multi-Plane Ceiling Panels, Hanging Baffles & Sound Blocks



### Multi-Plane Ceiling Panels

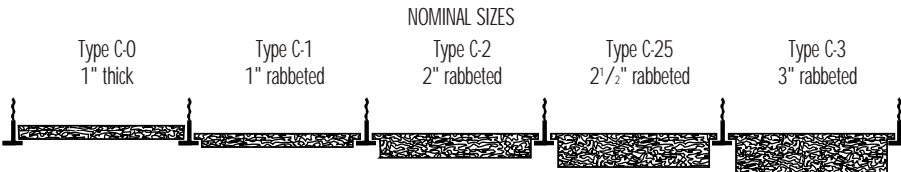
With TECTUM Multi-Plane ceiling panels you can design an endless array of 3-D acoustical ceilings. With TECTUM panels you can choose natural, factory painted white, Image or custom finishes. Multi-Plane panels come in 1", 2", 2 1/2" and 3" thicknesses with 13/32", 1 7/16", 1 15/16" and 2 7/16" reveals respectively. With panel sizes of 2'x2', 2'x4' and 2.5'x5', various patterns can be designed for any size room.



### Hanging Baffles

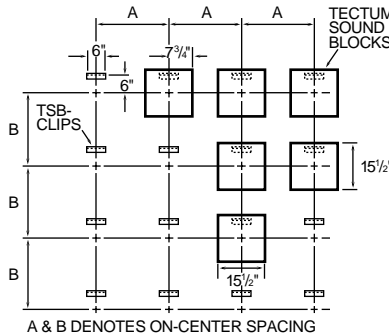
The use of TECTUM acoustical panels as Hanging Sound Baffles is growing in popularity as the durability, paintability, ease of application in numerous situations and the need for their sound absorbing qualities is recognized by acoustical designers. Standard TECTUM Sound Baffles are available 1", 1 1/2" or 2" thick, with square edges or beveled edges bottom only. Hanging Baffles are available 2' x 4'. Finishes available are natural, factory painted white, Image and custom, both sides. Various methods are appropriate for hanging. Ask for Marketing Bulletin M-8. CAUTION: Do not use baffles where repeated impacts occur.

Multi-Plane Ceiling Panels  
Hanging Baffles  
Sound Blocks

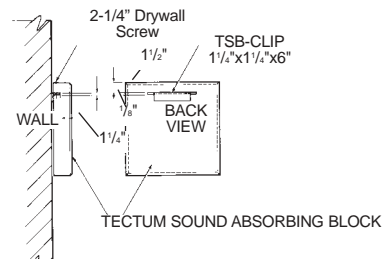


### Sound Blocks

TECTUM Sound Blocks are a decorative way to control reverberant sound in either new or existing rooms. Their 3'x15 1/2" x 15 1/2" dimensions and beveled edges make them easy to install in various patterns. Recommended spacing is 24" or 32" o.c. They come complete with individual hanging clips and in natural, factory painted white, Image or custom finishes. Other sizes are available on special order.



For additional information, please refer to our Interior Sweets catalog, 09800/TED.



P.O. Box 3002  
Newark, Ohio 43058-3002  
740.345-9691 or 888.977.9691  
740.349.9305 or 800.832-8869 FAX  
<http://www.tectum.com>

# TECTUM ACOUSTICAL PERFORMANCE

PANEL TYPE	SOUND ABSORPTION COEFFICIENTS						NRC	MOUNTING	
	125	250	500	1000	2000	4000			
<b>TECTUM CEILING TILE</b>									
1" x 24" x 24" Lay-in	.40	.42	.35	.48	.60	.93	.45	E-400	
1 1/2" x 24" x 24" Lay-in	.44	.43	.33	.49	.66	.77	.50	E-400	
2" x 24" x 24" Lay-in	.48	.46	.36	.55	.74	.79	.55	E-400	
1" x 24" x 24" Tonico/Soft Tonico	.37	.43	.34	.45	.58	.94	.45	E-400	
1 1/2" x 24" x 24" Designer	.44	.47	.36	.51	.71	1.06	.50	E-400	
1 1/2" x 24" x 24" Designer Plus	.35	.42	.39	.51	.72	1.05	.50	E-400	
1 1/2" x 24" x 96" Security	.36	.30	.42	.80	.83	.83	.60	E-400	
2" C-2 24" x 24"	.43	.50	.42	.62	.86	1.04	.60	E-400	
3" C-3 24" x 24"	.70	.50	.52	.76	.92	1.16	.70	E-400	
1" x 24" x 24" Lay-in									
6" Fiberglass Backing	1.01	.89	1.06	.97	.93	1.13	.95	E-400	
1" x 24" x 24" Tonico/Soft Tonico									
6" Fiberglass Backing	1.14	1.01	1.06	.94	.93	1.12	1.00	E-400	
1 1/2" Clouds									
1 1/2" Clouds with w/6" Fiberglass Backing	1.01	.89	1.06	.97	.93	1.13	.95	E-400	
2" Clouds	.43	.50	.42	.62	.86	1.04	.60	E-400	
<b>TECTUM IMAGE PANELS</b>									
1"	.06	.13	.24	.45	.82	.64	.40	A	
1"	.07	.15	.36	.65	.71	.81	.45	D-20	
<b>TECTUM WALL PANELS • KERFED • V-LINE</b>									
1"	.06	.13	.24	.45	.82	.64	.40	A	
1"	.07	.15	.36	.65	.71	.81	.45	D-20	
1"	.16	.43	1.00	1.05	.79	.98	.80	C-20	
1"	.32	.70	1.09	.93	.76	.94	.85	C-40	
1 1/2"	.07	.22	.48	.82	.64	.96	.55	A	
1 1/2"	.15	.26	.62	.83	.70	.91	.60	D-20	
1 1/2"	.24	.57	1.17	.87	.93	.87	.90	C-20	
1 1/2"	.40	.84	1.18	.84	.94	.88	.95	C-40	
2"	.15	.26	.62	.94	.64	.92	.60	A	
2"	.15	.36	.74	.82	.82	.92	.70	D-20	
2"	.42	.89	1.19	.85	1.08	.94	1.00	C-40	
<b>FINALÉ WALL PANEL SYSTEM</b>									
1" Face	.15	.39	.85	.98	.78	.93	.75	A	
<b>FABRI-TOUGH™ FINALÉ WALL PANEL SYSTEM</b>									
1" Face	.30	.59	.90	.98	.85	.93	.85	A	
<b>FABRI-TOUGH™ WALL PANEL SYSTEM</b>									
1"	.05	.16	.30	.57	.94	.70	.50	A	
1"	.13	.19	.45	.86	.80	.84	.60	D-20	
1"	.30	.77	1.11	.96	.79	.95	.90	C-40	
<b>TECTUM WRAPPED CEILING AND WALL PANELS (USDA/FDA CERTIFIED)</b>									
1" Thick	.15	.23	.30	.50	.80	.60	.50	A	
<b>FABRI-GLASS™ WALL PANEL SYSTEM</b>									
1"	.33	.47	.89	.97	1.07	.94	.80	A	
<b>HANGING BAFFLES</b>									
	<b>SABINS PER UNIT</b>								
1' Face to Face	1.62	1.35	2.36	3.81	4.76	6.54	N/A	N/A	
2' Face to Face	.95	1.63	2.32	3.92	5.18	7.27	N/A	N/A	
3' Face to Face	1.01	1.44	2.32	4.05	5.16	7.21	N/A	N/A	
<b>TECTUM SOUND ABSORPTION BLOCKS</b>									
	<b>SABINS PER UNIT</b>								
24" O.C.	.36	.53	1.81	2.65	2.75	2.73	N/A	N/A	
32" O.C.	.45	.71	1.87	2.94	2.90	2.91	N/A	N/A	
<b>TECTUM BARRIER</b>									
								<b>STC</b>	
1 lb/sq/ft	13	17	21	28	33	40	28		

Multi-Plane Hanging Baffles Sound Blocks